

4

3

2

1

THIS DRAWING IS UNPUBLISHED.
VERTRÄULICHE UNVERÖFFENTLICHTE ZEICHNUNG

RELEASED FOR PUBLICATION
FREI FUER VERÖFFENTLICHUNG
1997

MATED WITH:
PASSEND ZU:
Bg6

LOC
AI

DIST
-

P

LTR

A6

ECR-10-014117

REVISIONS
ÄNDERUNGEN

DESCRIPTION
BESCHREIBUNG

DATE

DWN

APVD

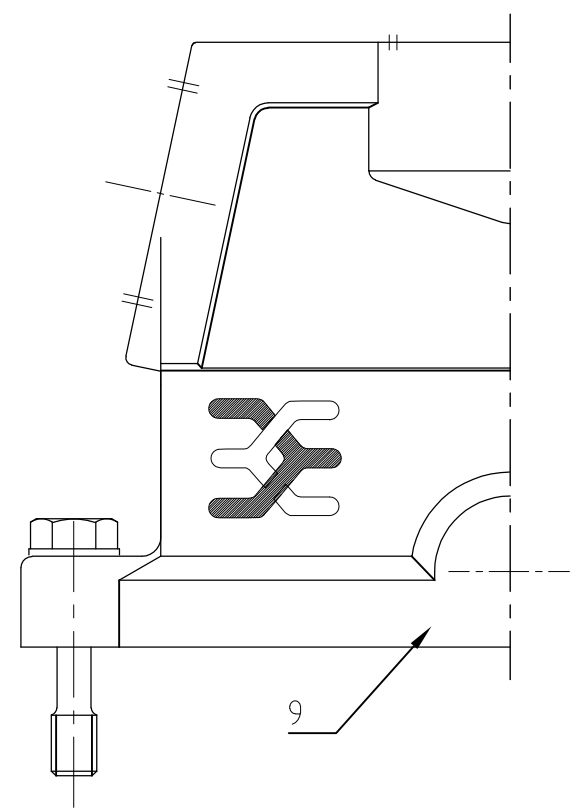
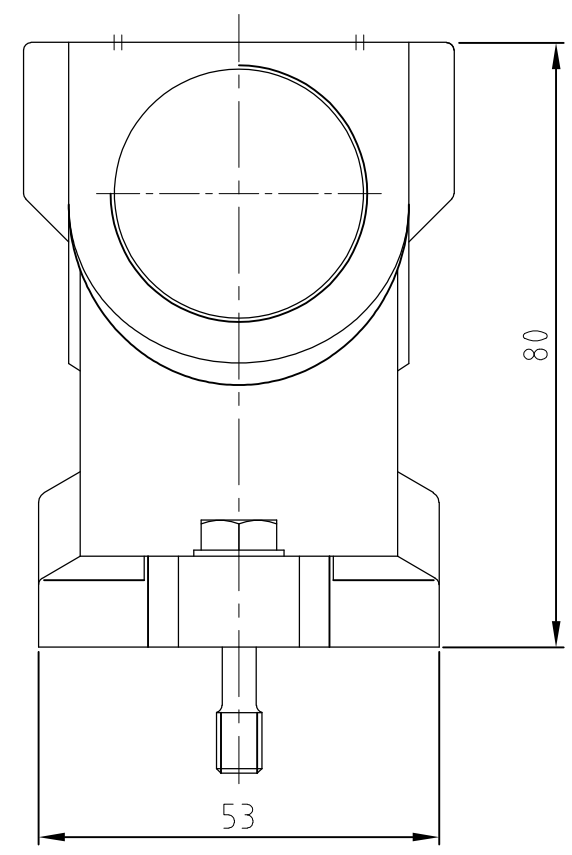
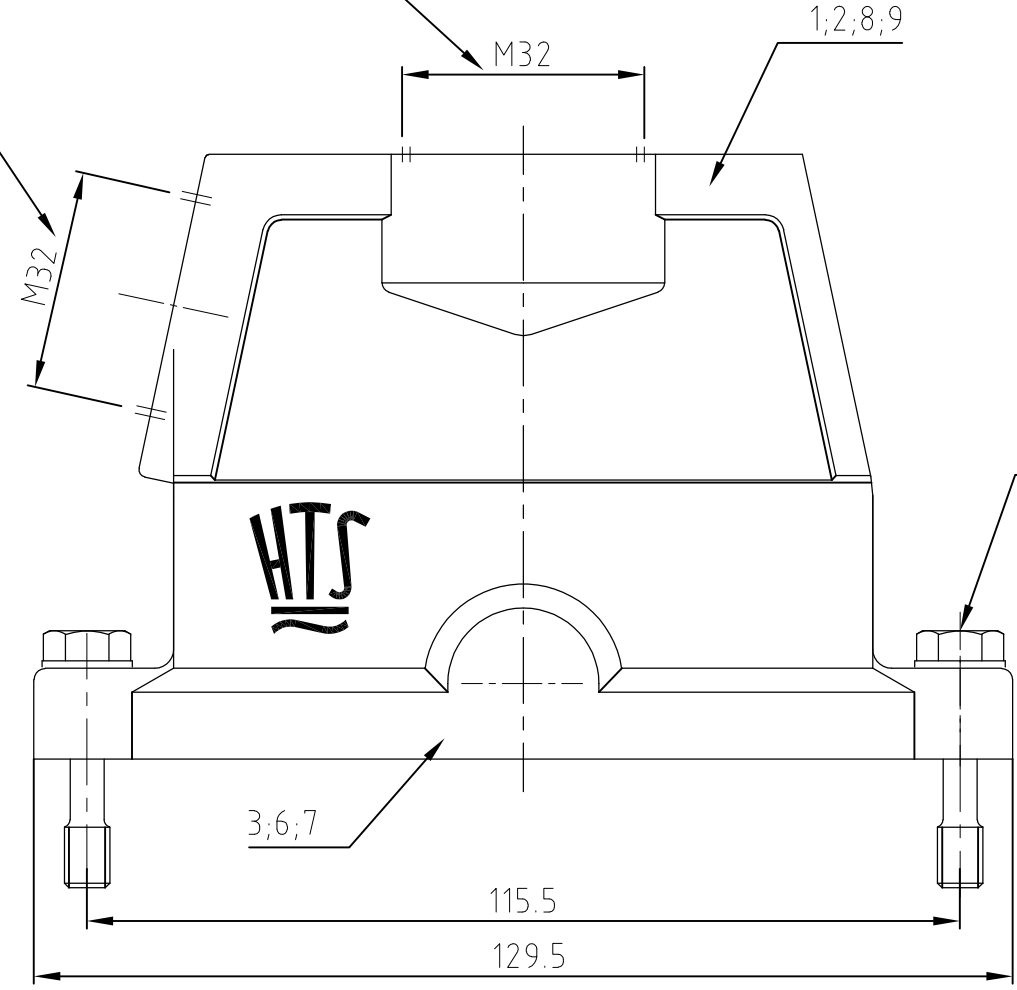
06.07.2010

SR

AR

Variante STS

Variante STO



1										Hood EMV-K	aluminium/ALU	SEE NOTE \triangle_2	black	9	Weidmüller-logo
	1									Hood EMV-K	aluminium/ALU	SEE NOTE \triangle_2	black	8	without entry / without logo
		1								Hood EMV		grey		7	Side entry
			1							Hood EMV		grey		6	Top entry
2	2	2	2	2	2	2	2	2	2	Pane	V2A	blank		5	B6.4
2	2	2	2	2	2	2	2	2	2	Cylinder screw	V2A	blank		4	M6x30
1	1	1	1	1	1	1	1	1	1	Seal Bg6	Neoprene		black	3	conductive
				1	1	1				Hood EMV-K	aluminium/ALU	SEE NOTE \triangle_2	black	2	Top entry
							1		1	Hood EMV	aluminium/ALU		grey	1	Top entry
1-0	0-9	0-8	0-7	0-6	0-5	0-4	0-2	0-3	0-1	DESCRIPTION / BENENNUNG	MATERIAL	SURFACE / OBERFLÄCHE	COLOR / FARBE	ITEM NO. POS.	REMARKS / BEMERKUNGEN

- Notes:
- \triangle_1 Material: Housing: aluminium diecasting alloy
 - \triangle_2 Surface: chromitAL TCP passivation + Powder coated black
 - \triangle_3 Varnish on the inside not necessarily
 - \triangle_4 Packaging quantity 5 pieces in a carton

EMV-K.16/40.STS.1.M4.0.G-WE	EMV.16/40.ST	EMV.16/40.STS.1.M4.0.G	EMV.16/40.STO.1.M4.0.G	EMV-K.16/40.STS.1.M4.0.G	EMV-K.16/40.STO.1.M4.0.G	EMV-K.16/40.Sts.1.M32.G	EMV.16/40.Sts.1.M32.G	EMV-K.16/40.Sto.1.M32.G	EMV.16/40.Sto.1.M32.G
-----------------------------	--------------	------------------------	------------------------	--------------------------	--------------------------	-------------------------	-----------------------	-------------------------	-----------------------

THIS DRAWING IS A CONTROLLED DOCUMENT FOR AMP INCORPORATED.
IT IS SUBJECT TO CHANGE AND THE CONTROLLING ENGINEERING ORGANIZATION SHOULD BE CONTACTED FOR THE LATEST REVISION.
DIESES ZEICHNUNGSDOKUMENT WIRD DURCH AMP INCORPORATED KONTROLLIERT.
ÄNDERUNGEN, DIE DEM TECHNISCHEN FORTSCHRITT DIENEN, SIND VORBEHALTEN.
DEN JEWEILS LETZTGÜLTIGEN ÄNDERUNGSSTAND ERFAHREN SIE AUF ANFRAGE.

DIMENSIONS: DIMENSIONEN: mm

TOLERANCES UNLESS OTHERWISE SPECIFIED: ALLGEMEINTOLERANZEN

ISO 8015
D. ISO 2768 - mH - E
D. DIN 16901 - 14.0

0 PLC #
1 PLC #
2 PLC #
3 PLC #

ANGLES / WINKEL #
FINISH / OBERFLÄCHE / FARBE

MATERIAL

DWN	Schneider	29.04.2002
CHK	Schweiger	29.04.2002
APVD	-	-
PRODUCT SPEC	HOOD	
APPLICATION SPEC	EMV.16/40.1.M32.G	
WEIGHT	A3	00779
GEWICHT	C=1106446	

Tyco Electronics Tyco Electronics,AMP,GmbH
53757 Sankt Augustin Germany

NAME: HOOD
EMV.16/40.1.M32.G

SIZE: A3 CAGE CODE: 00779 DRAWING NO: C=1106446

RESTRICTED TO NUR FUER: -

CUSTOMER DRAWING / KUNDENZEICHNUNG MASSSTAB 1:1 BLATT 1 OF VON 1 REV A6